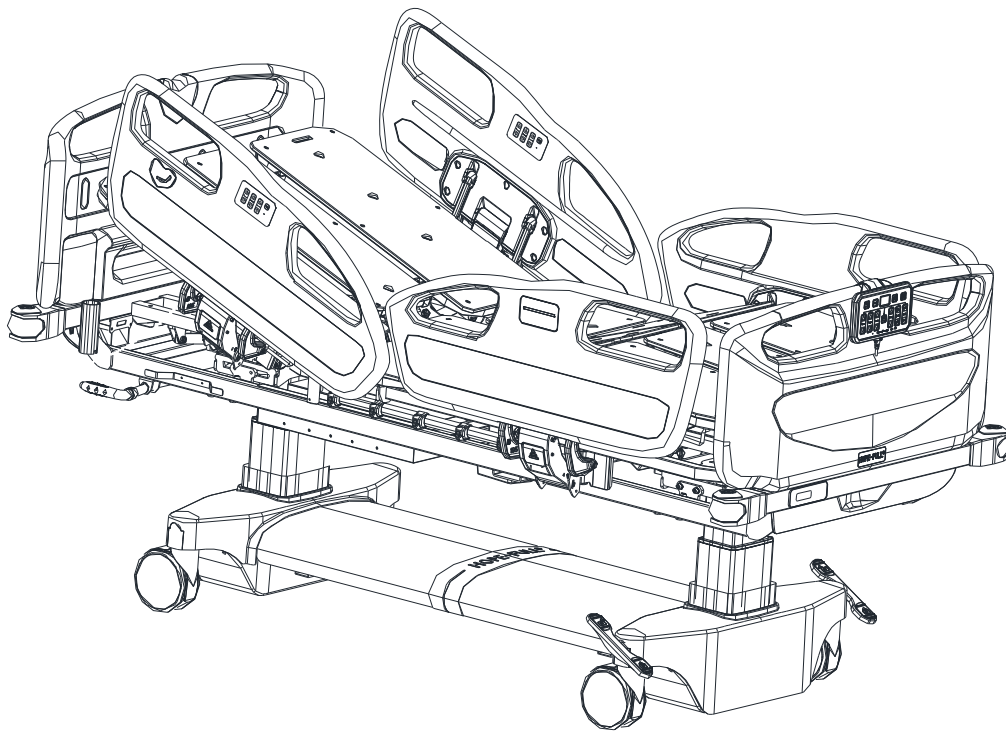




HOPEFULL[®] electric bed
Instruction Manual
(Applicable model: F968y-ch)



Contents

Instruction summarize	2
1. Usage and safe notice	2
1.1 Usage	2
1.2 Safe notice	2
2. Functions introduction and Operation manual.....	5
2.1 Components name	5
2.2 Bed placement	6
2.3 Functions introduction	6
2.4 Main functions operation	7
2.5 Manual CPR operation.....	12
2.6 Scale function.....	13
2.7 Bedside rails (Guardrail) operation	15
2.8 Install and dismantle the head / foot panels	16
2.9 Castor operation.....	18
2.10 Control box connection methods & MJB instruction	19
2.11 Accessories usage	21
2.12 Backup battery maintenance	22
2.13 Cleaning and disinfection of bed.....	23
2.14 Malfunction and elimination methods	24
2.15 Bed maintenance	24
2.16 After-sales service contact information.....	25

Instruction summarize

The instruction is applicable to F968y-ch Electric bed. It's including the information such as usage & safe notice, function instruction, care & maintenance, and so on.

The inside pictures are only for reference. When operation, please take the real product for standard.

1. Usage and safe notice

1.1 Usage

The electric bed is used for examination, diagnosis, nursing care and treatment for patients.

1.2 Safe notice

- Before using the bed, make sure to read "Safe notice" carefully and operate correctly.
- If not operate according to "Safe notice", the products may be damaged and even hurt human's life.
- If the bed is directly operated by the patient himself or his relatives, before using it, the doctors or nurses should give the enough explanation to them regarding how to operate the bed, so that the operations adapt to the patient's symptom.
- Please do not allow the children and the person who can't understand the operations well to operate the bed.
- Any safe notice is the important content, please do follow up.
- After finish reading the instruction, it should be put on the place where can be seen at any moment.
- The product without the electricity cutting off itself, if want to cut off the electricity, please put off the plug.



Warnings

- 1). Pay attention to use the electricity safely please.
 - Don't use the wet hands to touch the plug.
 - Before cleaning the bed, make sure to put off the plug for safety.
 - When put off the plug, the hand has to grip the plug. If pulling the electric wire directly, the wire may be broken off.
 - Don't put the bed in the wet place, or else the electrical components may be damaged and cause the accident
 - When the bed without use or move the bed, please take off the plug and wreathe it on the electric wire rack in order to avoid damaging the plug or

electric wire.

- The products may be disturbed by other wireless electronic equipment, in this case , users may use the method to avoid the interruption.

2). In order to avoid the patient falling from the bed, please use both bedside rails.

- Don't put your head, hands and legs out of the bed, or else you may fall out from the bed and get hurt.
- Do make sure to use the bedside rails when carry the patient.
- Please do not put your head and neck into the clearance between the bedside rails or the head panels, or else you may fall from the clearance and get hurt. Especially take care for the patient who can't control himself body.
- Don't sit on the bedside rails or head and foot panels or stand on the bed, all that may make you fallen out from the bed and get hurt.
- It's not allow to operate by the children, or else it may make the children fallen from the clearance of the bedside rails and hurt themselves.

3). When adjust the angles of the bed board, please pay attention to patient status.

- When adjust the bed, please make sure there is no barrier around and your eyes do not leave away from the patient.
- When patient is in prostrate status, do not lift up the back bed board, or else the patient may get hurt.
- The angle between the back bed board and the knee bed board should be not less than 90°, or else it will oppress the patient abdomen and get hurt (except for the medical people have special arrangement)
- If the patient does movement during the bed board adjustments, he/she may fall from the bed and get hurt.
- Please do not put your hands and feet into the clearance between the mattress platform, head&foot panels, the bedside rails , also not get into the underside of the bed , or else you may be clamped by the bed movement parts or the bed frame, bedside rails and get hurt .
- Please do not sit on the process lifting up bed board or the already risen bed board, or else the bed board supported part may get distortion or breakage because of the heavy pressure.

4). Before adjust the bed, please pay attention to the wall and other barriers, and make sure the clearance between the bed and the wall or other barriers is more than 20cm. Because when adjust the bed height, the bed will do the up and down or front and back movement, it must confirm the bed will not touch the wall or the barriers when adjust. Or else, the bed will get distortion or breakage, and also break the surrounding object.

5). Except for moving the beds, please make sure to lock the castors and fix the bed well. When the patient gets up and down the bed, it may cause the unexpected hurt

because of the bed movement.

6). When move the beds:

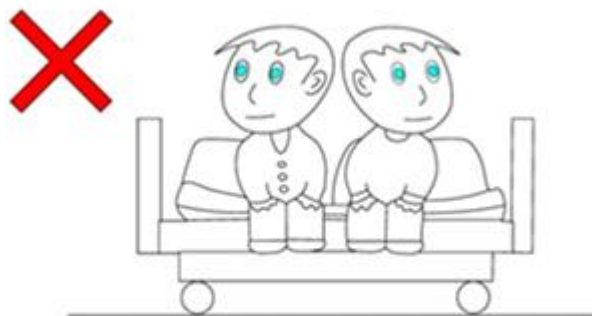
- Please make sure to install and lock well the head and foot panels. If the panels are not locked well before moving the bed, the patient may fall from the bed to get hurt because of the panels loose.
- Please avoid to moving the beds on the rough road, or else it will cause the bed distortion or breakage or other unexpected trouble. If you have to move the bed on the rough road, the bed should be moved very slowly for safety.
- When move the bed, the bed and both bedside rails can't hit the surrounding object. Or else, the bed and the bedside rails may get distorted and break.
- Do not only grasp the bedside rails to move the bed. If the bedside rails bear too much pressure, it may cause the distortion or breakage.

7). Don't get close to the fire. Nearby the bed, please avoid to use the warmer or the heating machine, or else it will cause the bad quality, distortion of the bed components even cause a fire accident.

8). Without the nurse care, in order to avoid the patient falls from the bed when get up and down from the bed or lies on the bed, please adjust the bed reaching the lowest position, and the mattress platform should be adjusted to the horizontal position. (Except for the medical people have special requirement)

9).When the patients lose the sense of direction due to drugs and clinic conditions may cause them to be stuck. So the mattress platform should be placed in a horizontal position (unless the medical staff require specially).

10). The bed is designed for only one patient to lie, if two or more patients lie on the bed simultaneity, the bed may be broken.



The hospital bed designed for one man.do not use it for two or more patients at the same time.

11). Please lay the patient in the correct sections as the bed. If head and foot sections are reversed, the back and knee will have wrong posture when adjust the bed and the patient will get hurt.

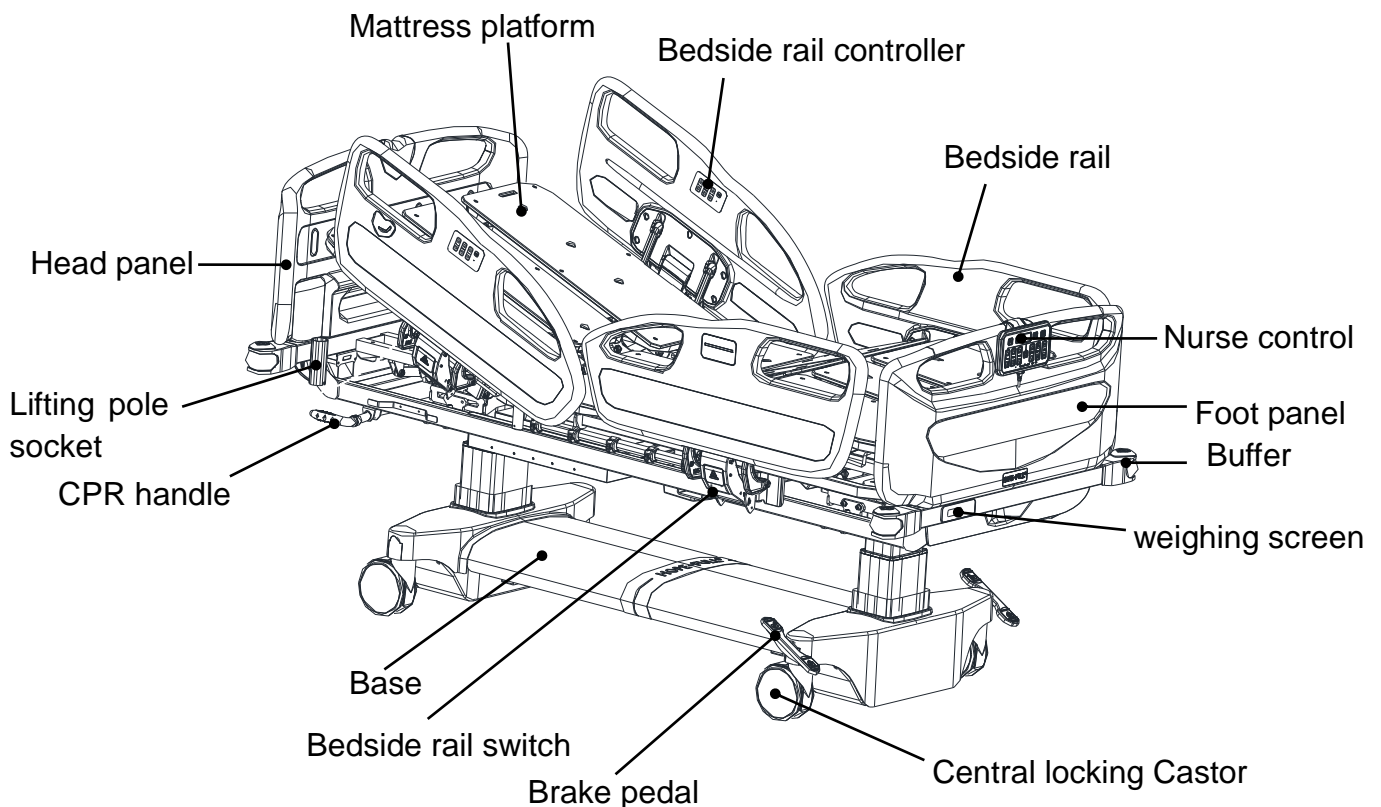
12). Please do not fasten the belts on the patient's body when adjust the bed. Or else, it will hurt the patient or make the bed distorted or broken.

13). Make sure to check and repair the bed carefully (For example, if the bed is broken caused by the earthquake, fire, flood or other reasons). You can ask for help from the manufacturer or the authorized agent to check and repair, the users are not allowed to repair or reconstruct. Wrong repair or reconstruction may cause the abnormal case and hurt the patient.

2. Functions introduction and Operation manual

2.1 Components name

The electric bed is consist of support structure, mattress platform,actuator,control box,handset,beside rail,castors and accessories (urine hook,IV drip stand,bed mattress) etc,bed structure as below:



2.2 Bed placement

Improper placement is the reason to cause the trouble of the bed. Please use the bed in the environment as below:

- Temperature: 5°C-40°C
- Relative humidity: 20%~90% below 30°C, non-condensing
- Atmospheric pressure: 700-1060 hPa

Avoid to put the bed in the following sites:

- The place with the direct irradiated sunshine.
- Nearby the warmer or the heating machine and other euthermic machines
- The places with too much water and oil steam.
- High temperature, over-moisture, low temperature places.
- Place with much dust, smoke, salt, sulfur, corrosive object.
- Unventilated place.
- Shake or impacts place (including when carry).
- Flabby floor.
- Unbalance floor.

2.3 Functions introduction

The electric bed F968y-ch is designed base on the safe and convenient use, the bed can be operated and adjusted different positions by the controls.

The main functions including:

1. Back section up and down adjustment
2. Knee section up and down adjustment
3. Hi-Low adjustment
4. Trendelenburg&reverse trendelenburg (Tilting) adjustment
5. Manual CPR
6. Turn-over function
7. Cardiac chair position
8. Electric CPR function for back section
9. Quick back trendelenburg position
10. Scale function
11. Backup battery

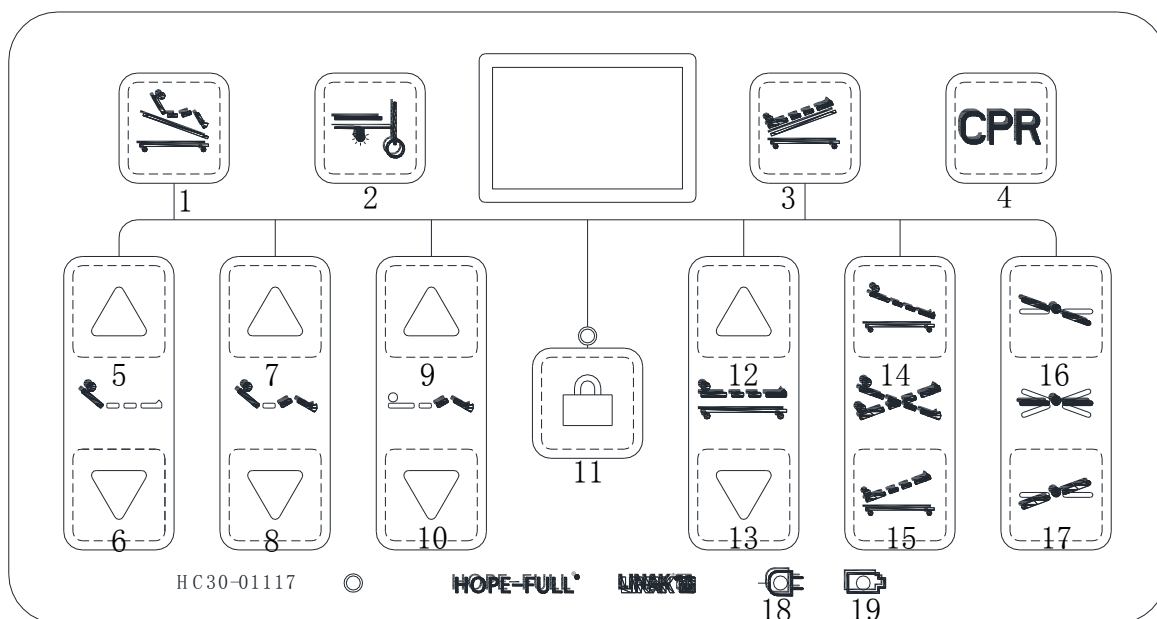
2.4 Main functions operation



Notices:

- Please stop to operate the bed when the bed is adjusted to the final distance/angle including the height or angle adjustment.
- Don't let other people sit on the bed board when adjust the bed, in order to avoid breaking the bed board because of the imbalanced force.
- Before operating the whole bed, make sure there's nothing under the bed.
- If there is any abnormality while in the operation, please loose the key of the controller, then the bed will stop movement.
- Before operating the turn-over, trendelenburg & reverse trendelenburg (Tilting) adjustment, hi-Low adjustment, cardiac chair position and electric CPR function, please raise the bedside rails to avoid injury.

1. Nurse controller:

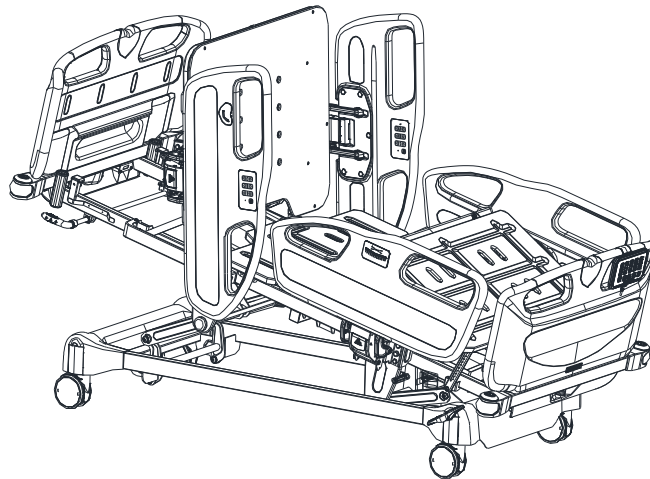


- | | | |
|---------------------------------------|------------------------------------|-----------------------|
| 1.Cardiac chair position | 2.Under bed light | 3.Quick trendelenburg |
| 4.Electric CPR | 5.Back section up | 6.Back section down |
| 7.Back&knee section simultaneous up | | |
| 8.Back&knee section simultaneous down | | 9.Knee section up |
| 10.Knee section down | 11. Locking key | 12.Whole bed up |
| 13.Whole bed down | 14.Head tilt up | 15.Leg tilt up |
| 16. Left bed board turn-over | 17.Right bed board turn-over | |
| 18.Electric indicator light | 19. Backup Battery indicator light | |

The function instruction of the keys as follow:

1. Key 1: Cardiac chair operation

There is a “Cardiac chair” sign on the nurse control, press the button continuously, the back section will go up and the leg section will get down to form into a chair figure. When loose the button, the operation will be stopped.

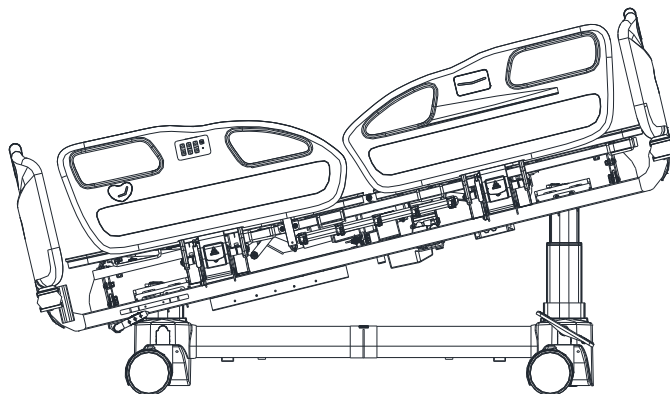


2. Key 2: Under bed light

Press the button can turn on the lamp under the bed.

3. Key 3: Quick trendelenburg operation

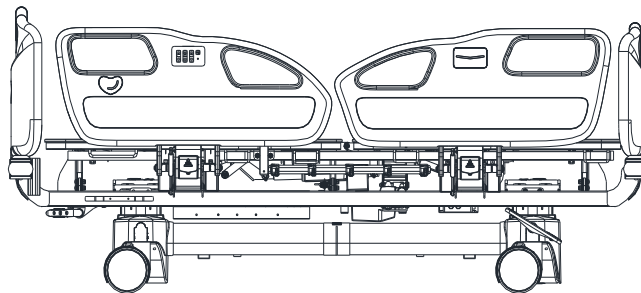
Press the quick trendelenburg button continuously, the whole bed will go into the head down and foot up trendelenburg position, the mattress support platform will be changed into flat board. When loose the button, the operation will be stopped.



4. Key 4: Electric CPR operation

There is “CPR” sign on the nurse control, press the “CPR” button continuously when in the emergency condition, the mattress support platform will be changed

into flat board and the bed will go to the lowest position. When loose the “CPR” button, the operation will be stopped.



5. Key5 & 6: Back section up and down adjustment

Press the button “Back section up” on the handset, the back bed board up; release the button, the back bed board will stop movement; press the button “Back section down”, the back bed board down; release the buttons, the back bed board will stop movement.

6. Key 7 & 8: Back&knee section simultaneous up and down adjustment

Press the button “Back&knee section up” on the handset, the back & knee section board up.; release the button, both of the boards will stop movement; press button “Back&knee section down”, the back & knee section board down, release the button, both of the boards will stop movement.

7. Key 9 & 10: Knee section up and down adjustment

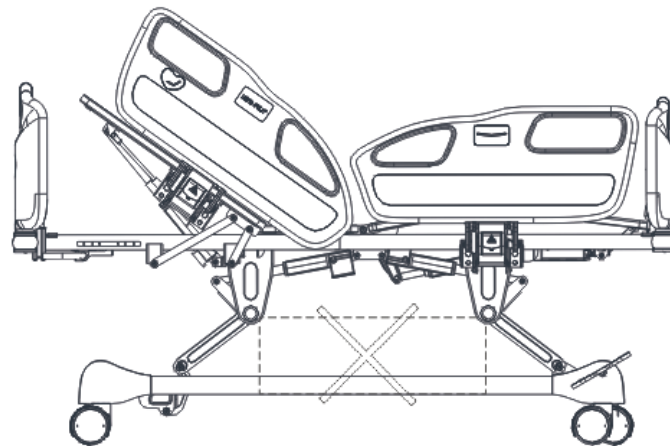
Press the button “Knee section up” on the handset, the knee section board up.; release the button, the knee section board will stop movement; press button “Knee section down”, the knee section board down, release the button, the knee section board will stop movement.

8. Key 11: Locking function

Press the locking key and the indicator light turns on, then the nurse control is locked. All buttons can't be operated except the special function keys. When press it again and the indicator light turns off, then the nurse control becomes unlocked and all buttons can be operated normally.

9. Key 12 & 13: Hi-low adjustment

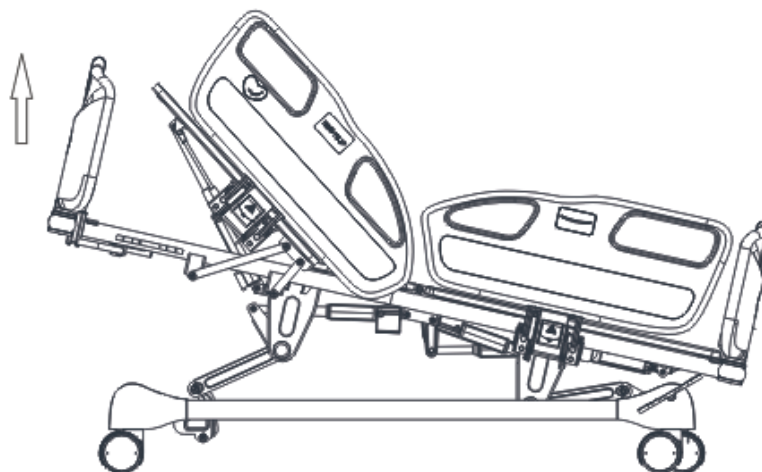
Press the button “Whole bed up” on the handset, the whole bed up.; release the button, the whole bed stop movement; press button “Whole bed down”, the whole bed down, release the button, the whole bed will stop movement.



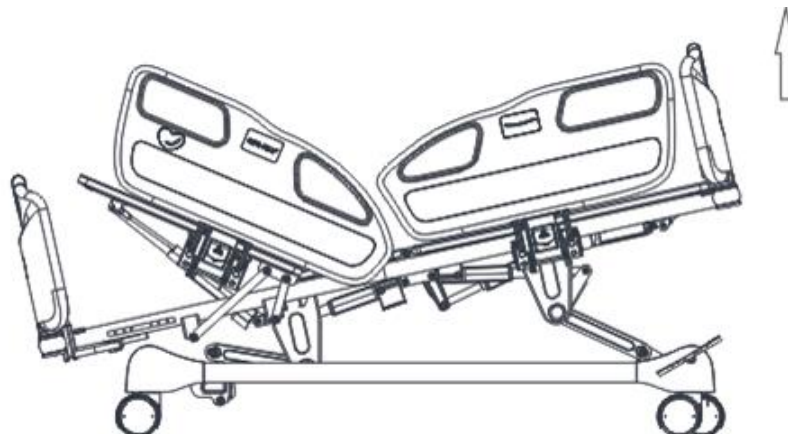
 **Notices: Before operation, make sure there's nothing under the bed.**

10. Key 14 & 15: Trendelenburg and reverse trendelenburg adjustment

A. Key 9: Press the reverse trendelenburg button(head tilt up), the head goes up and the leg goes down, release the button, the whole bed will stop movement.

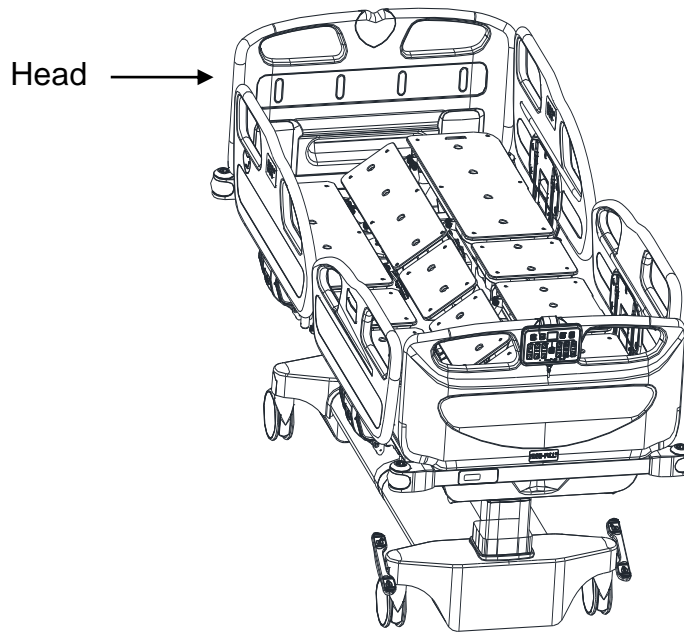


B. Key 10: Press the trendelenburg button(Leg tilt up), the head goes down and the leg goes up, release the button, the whole bed will stop movement



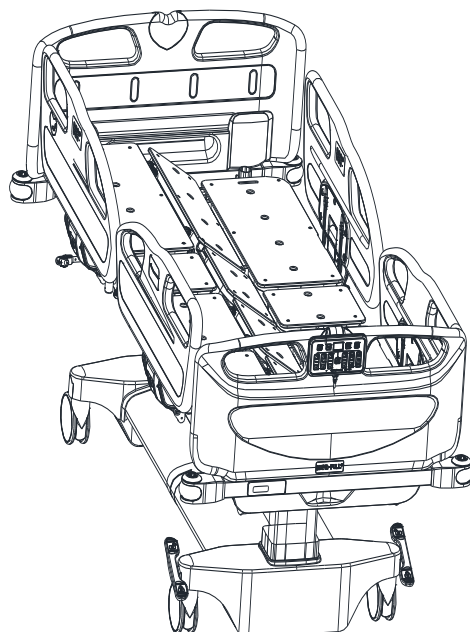
11.Key 16: Left bed board turn-over

Press the button “left bed board turn-over”,the left bed board will move down;release the button the movement will stop;when the left bed board move to the lowest position,press this button again,the bed board won’t go down any more.

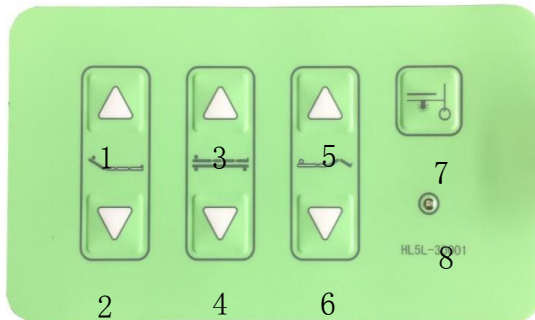


12.Key 17: Right bed board turn-over

Press the button “right bed board turn-over”,the right bed board will move down;release the button the movement will stop;when the right bed board move to the lowest position,press this button again,the bed board won’t go down any more.



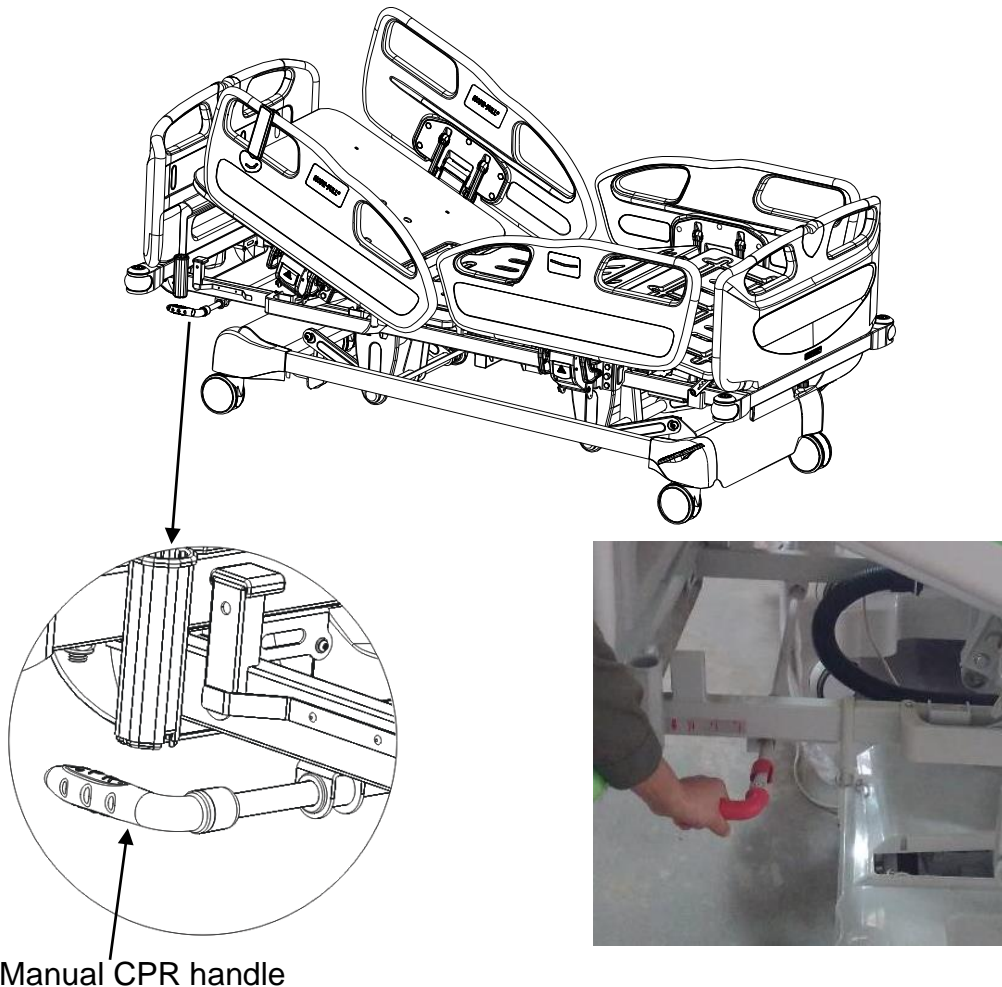
2. Built-in bedside rails controls (for patient use normally):




- | | | |
|--------------------|---------------------|---------------------|
| 1. Back section up | 2.Back section down | 3.Whole bed up |
| 4.Whole bed down | 5.Knee section up | 6.Knee section down |
| 7. Under bed light | 8.Indicator light | |


2.5 Manual CPR operation


Under the back board, there are “ Red CPR handle” on both sides. When in emergency, require the back board into flat, use one hand to support the bed back board , another hand press down the red handle , the back board will go into the flat position quickly .



2.6 Scale function

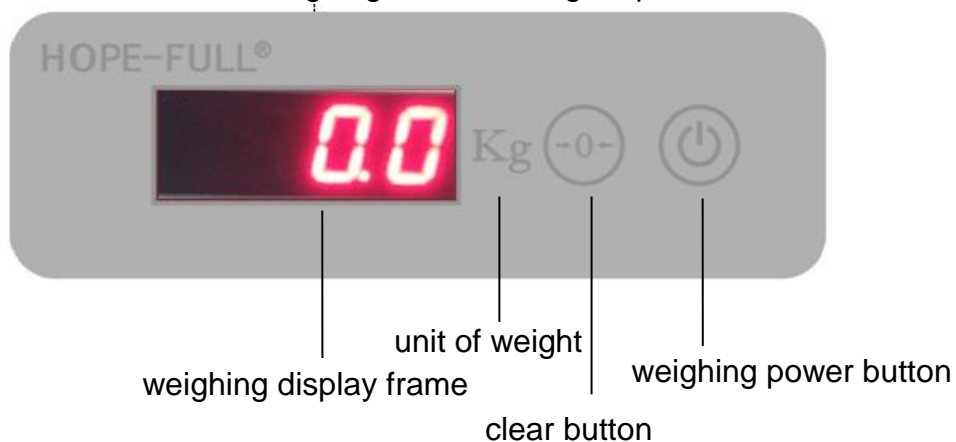
 Don't sit the bed corner to weight, or else the weight date will be wrong, and there's risk to damage the bed scale facilities too.

 If patient sleep on bed or put some load on bed and press the zero button, when the weight function disappear, the date maybe show the negative number, you need to press the zero button again.

 Please turn it off when power off after more than half an hour. The system is setted in default that when the voltage is lower than 22V the power supply will be cut off automatically. Please connect the power supply and press the weighing power button to wake up the weighing system.

Please follow the steps before scaling:

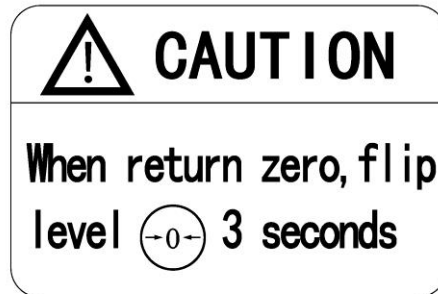
1. Firstly, power on the whole bed and make sure the power is on.
2. After confirming that the power is on, turn on the scale function by pressing the weighing power button of the weighing frame for 2 seconds. The weighing screen will light up.



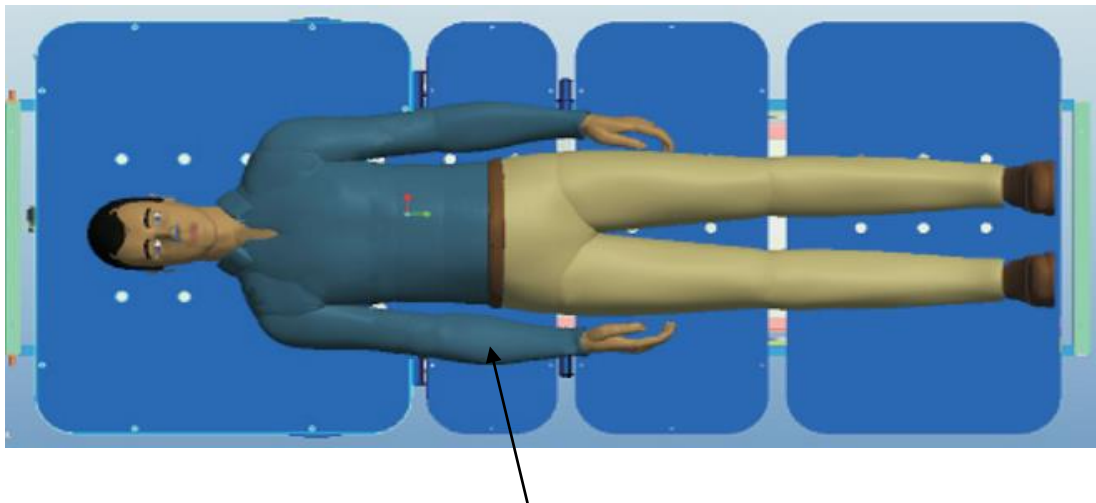
Weighing frame

3. Before make the scale function, pls keep the mattress platform into flat position, move away the patient. When no any stress, press the scale function switch on and press the zero button, when show zero,

patient comes back to the bed to start the scale.



4. When weight, the patient should sleep on the middle of the bed and the weight data is correct, as below photo.



Make sure the patient in the middle

5. Don't sit the bed corner to weight, or else the weight date will be wrong, and there's risk to damage the bed scale facilities too.
6. If patient sleep on bed or put some load on bed and press the zero button, when the weight function disappear, the date maybe show the negative number, you need to press the zero button again.

2.7 Bedside rails (Guardrail) operation



When patient lies on the bed, please keep the bedside rails risen in order to avoid the patient falling from the bed to cause the accident.



When operating, please pay attention whether there is barrier in the gaps between the bedside rails and bed frame, If yes, please eliminate.

1. Lift up the bedside rails:

Lift up the bedside rails slowly from the bottom of the bed surface, till hearing a sound of “ka”, that means the bedside rail goes up to the correct position.



2. Put down the bedside rails:

Use one hand to hold the bedside rail's holes and the other hand to open the switch, when hearing a sound of “ka”, then put down the bedside rails slowly (Re. the picture as below)



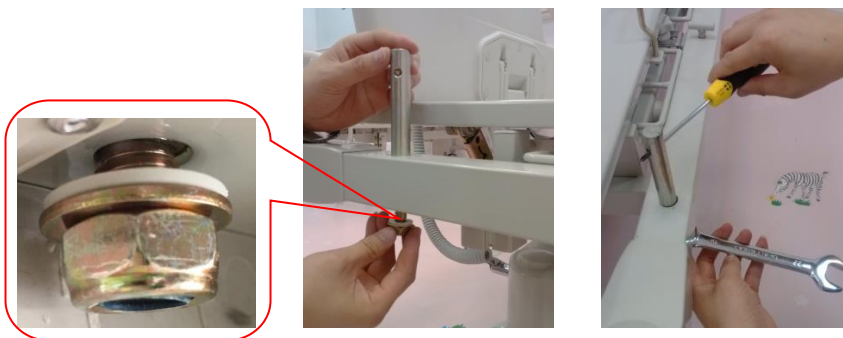
2.8 Install and dismantle the head / foot panels

1. Installation of plungers

Insert the plungers into the holes of the head and foot bars, and fasten them with screws and flat washers. Fix the four plungers of head & foot panel with 17 # wrench and screwdriver one by one.



Plunger, screw, flat washer



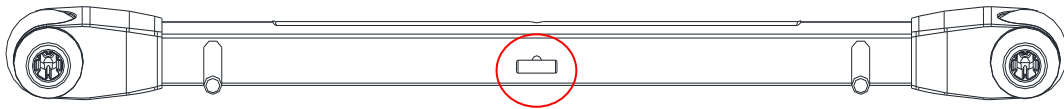
2. Install the head / foot panels

2.1 Turn the lock to the unlock state as below picture:

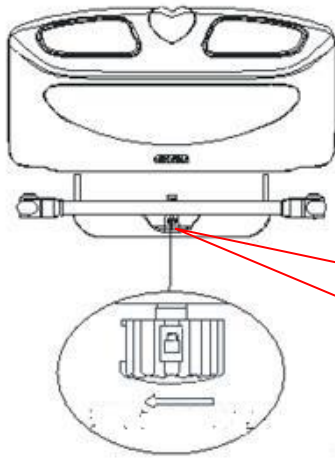


Unlocked

2.2 The lock is horizontal when unlocked. At this time, put down the head & foot panel vertically and make sure the plungers insert the holes of the panels correctly. Then turn the lock to the lock state. (Re. the picture as below)



Lock of head & foot panel

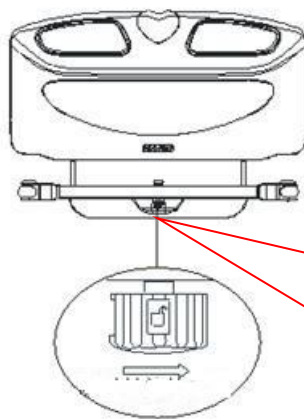


Turn the lock 90° anticlockwise

Locked

3. Dismantle the head /foot panels

Turn the lock to the unlock state firstly, then straightly lift up the panels with two hands. (Re. the picture as below)



Turn the lock 90° clockwise

Unlocked

2.9 Castor operation



When there is patient on the bed, please lift up the bedside rails before moving the bed.



Before moving the bed, please pull out the power cord and circle it on the hook under the bedside rail. Don't drop it on the ground to avoid rolling or squeezing while moving. Otherwise it will cause the safety accident because of the broken power cord.

1. When move the bed to the required place, step on the red sign until hear “ka”, that means locked. (Re. the picture as below)



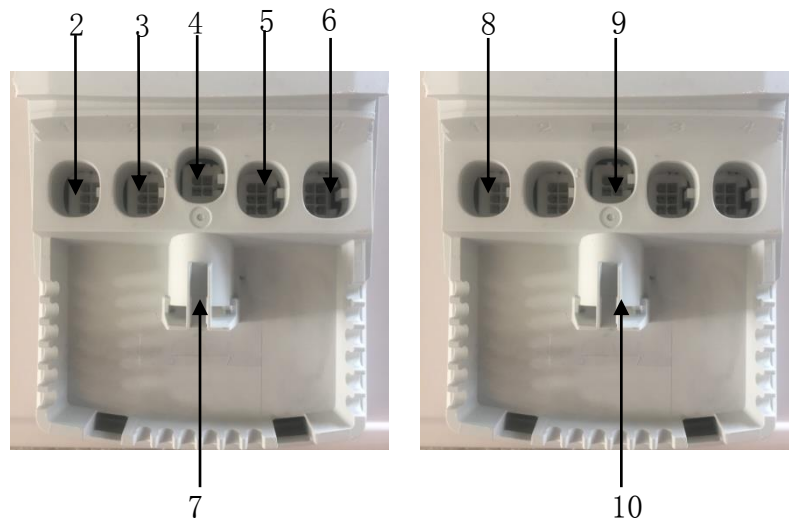
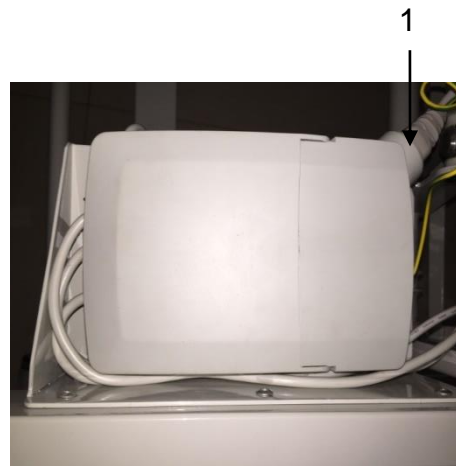
2. Before moving the bed, please step on the green sign till hear “ka” sound to release the brake system. (Re. the picture as below)



2.10 Control box connection methods & MJB instruction

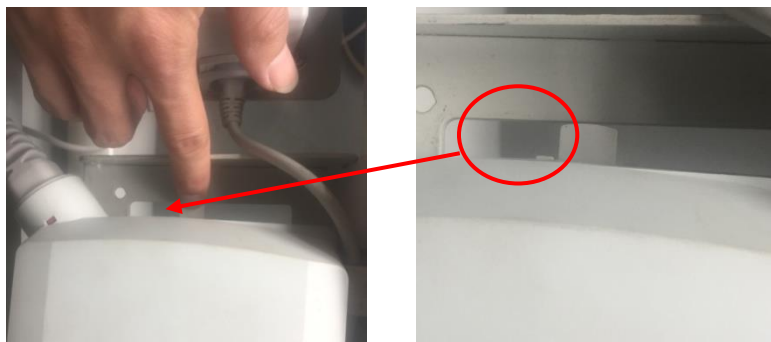
1. Wire connection methods:

- 1). Power supply (Electric source)
- 2). Motor socket for back section
- 3). Column motor socket for back section
- 4). Backup battery socket
- 5). Motor socket for knee section
- 6). Column motor socket for knee section
- 7). MJB socket
- 8). Turn-over motor socket
- 9). Backup battery socket
- 10). MJB socket



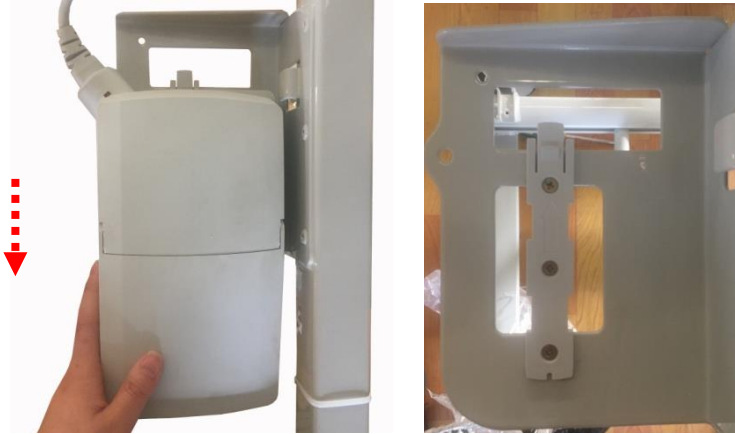
2. Method of changing control box

2.1 Press the slider switch of the control box,when you hear a sound of "ka" ,that means the switch has been opened.



slider switch

2.2 Slide the control box on the other side of the slide bar of the switch, and then pull out all the lines on the control box.

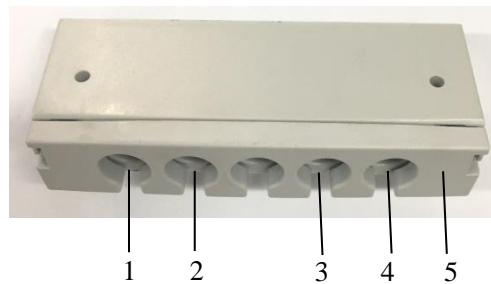


2.3 Change a new control box and fix it on the stand then insert the correct lines and cover the lid of the control box. The control box has been removed.

3. MJB connection method

1/2/3/4 are the same interface. They can be inserted by the control box access line, nurse controller access line, Bedside rail controller access line.

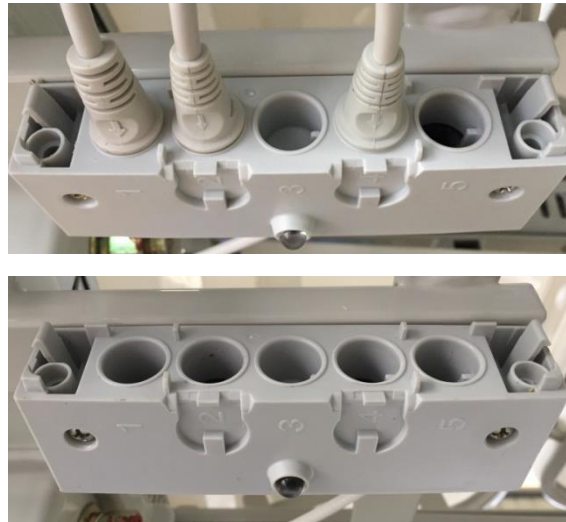
5 Sealing cover



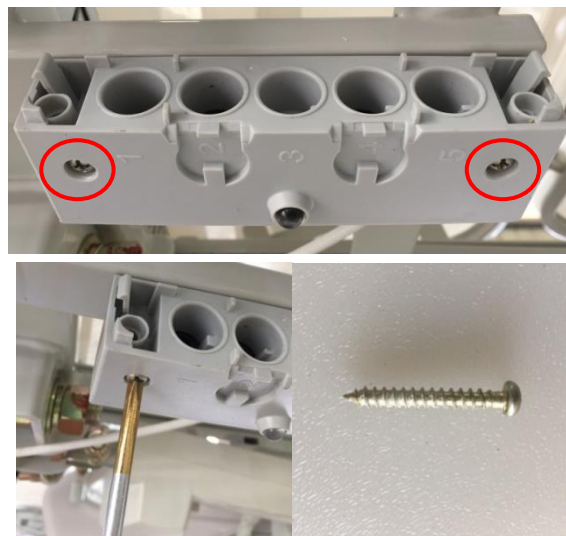
4. Method of chaging MJB

4.1 Remove the sealing cover and pull the lines;





4.2 Remove this two screws with the cross screwdriver;



4.3 Change a new MJB then fix this two screws.

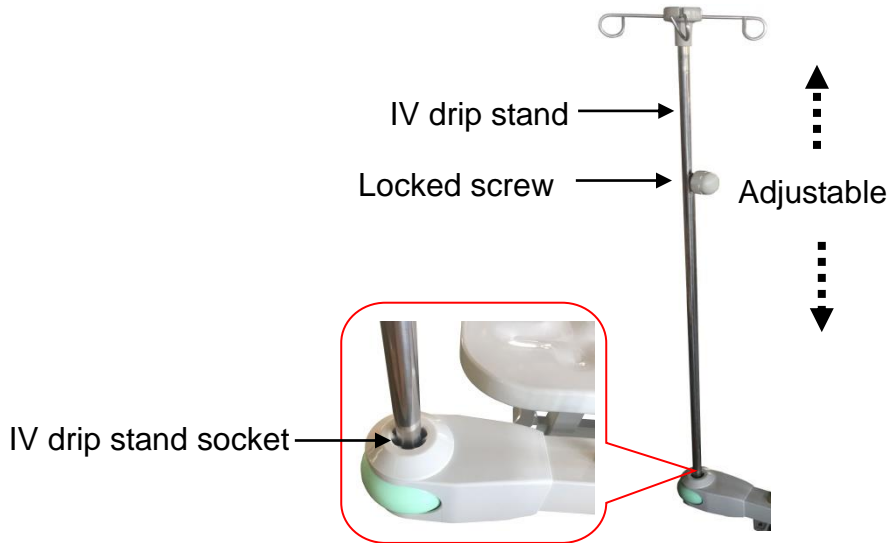
2.11 Accessories usage(Optional)

1. IV drip stand usage

- 1.1 Firstly insert the IV drip stand into the socket, then lift the inner pipe of IV stand to a desired height, and then fasten the “locked screw”. (as below picture)
- 1.2 When store the IV drip stand, please take out the IV stand from the socket, then loose “the locked screw” to put the inner pipe into outer pipe (cover) and tighten

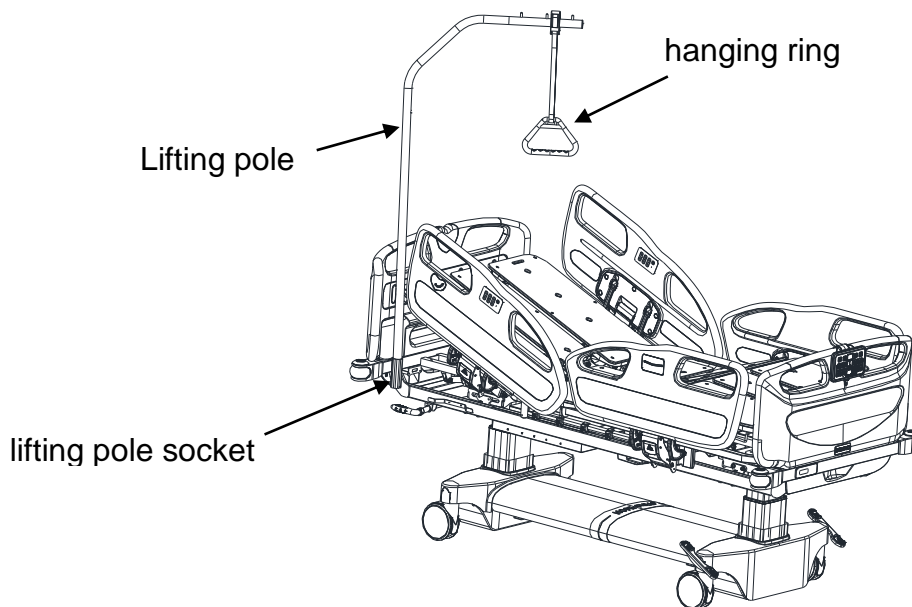
the “locked screw”.

1.3 Safety working load for IV drip stand is 5 kilogram



2. Lifting pole usage

Please insert the lifting pole into the lifting pole socket before using it. (Re. the picture as below) Lifting pole is optional.



2.12 Backup battery maintenance

1. Output voltage: 24V DC

Maximum output current: 5A

2. The battery of the electric bed is a maintenance free battery, its features as follow:

sealed structure, no harmful gas will be produced when charging; high discharge rate, stable characteristic, free maintenance. The battery cannot be replaced by the user and must be maintained by the designated professional staff.

3. The backup battery is on the automatic charge up when the bed used, in order to sure the backup battery can work well when no electricity, please check it each month. The details procedures as below:
 - 1) Make sure no patient on bed
 - 2) Cut off the power supply and wrap on the hook
 - 3) Press the controls to test, normally the battery can support the bed up and down for 3 times
 - 4) Finish the operation, connect the power supply and the indication light of backup battery turns on and the battery is under charge up.
4. The backup battery should be fully charged every three months. 12 hours one time. When the nurse control battery indicator light is off, that means finish the charge.
5. The bed can't be used more than 15 minutes without power supply, Or else it will damage the battery and can't repair.



Backup battery

2.13 Cleaning and disinfection of bed

Notices: the products are not applicable to using “Spraying stream” cleaning machines or high pressure and high steam to clean. During the cleaning, do not use the water to sprinkle the beds directly, especially for the electrical parts.

1. Cleaning of the beds:

1. For cleaning completely and convenient checking after cleaning, please lift up the whole bed to the highest position, including back and leg sections.
2. Please take away the mattress and bed sheet, pull out the power supply wire from the socket and wreath on the electric wire rack.
3. When cleaning, please wipe the bed with the wretched dry cloth which has been dipped into the diluted neutral scour, then dip the clean cloth into the clean water

and wrest dry to wipe away the residual scour, finally dried with clean dry cloth.

4. Please do not use volatile chemicals to clean, such as thinner, volatile liquid, gasoline and so on. Or else it will cause the materials to change colors or the quality change.

2. Disinfection of the beds:

1. When disinfection, please use the below disinfectant which has been diluted with the appointed proportion to disinfect.
 - 0.05-0.2% ammonium chloride disinfectant
 - 0.05-0.2% chlorophenyl disinfectant
 - 0.05% chlorhexidine liquid
2. According to the difference of the disinfectant, there may make the metal parts corrupted or the plastic parts turned colors, quality change, split, so please use the above recommended disinfectants.
3. Please confirm well the ingredients of the disinfectant before disinfection.
4. After finish disinfection, please wipe away the disinfectant.
5. Don't use the Ozone machine and autoclave as disinfectants for the bed.

2.14 Malfunction and elimination methods

Common malfunctions	Possible reasons	Elimination methods
The control can't work	Forget to connect the power or the wire can't connect well	Connect the electric wire again
Up/down movement can't work	The lock for whole bed is locked	Release the lock
It's difficult to move the whole bed.	Brake system is locked, all castors are locked.	Unlock the brake system
Bedside rail is easy to loose and fall off	Bedside rail is not in the standard risen position.	Lift the bedside rail upwards again, loose hands when hear "ka"
The sound is too noisy when the bed up or down	Movement parts are not enough lubricative	Please add lubricative oil at the each connecting joints of movement parts

2.15 Bed maintenance

1. In order to use the bed well, you must do some maintenance on beds regular. We suggest to make the complete inspection per 6 months, to sure all the jointed parts are no loose, the bed up/down operation normal, battery can work well when no electricity.

2. If you suspect there is a problem with the control box, please do not repair it by yourself. It must be maintained by the designated professional staff, otherwise there is a risk of electric shock.
3. When do the inspection, you should add some lubricating oil on the bed moving parts, if find the parts are abraded seriously, please change a new one.
4. Avoid to hit the bed or use the sharp tools scratch the surface.
5. Please avoid the water go into the bed, it will cause the rusty or the bacteria. Wipe the water right away if you find the water on the bed.
6. When the electric parts have problems, please don't repair by yourself, do remember to contact the the designated professional staff.
7. When the bed reach to the life-span, the plastic and metal parts can be recycle. The electric parts should be sent to the qualification companies to dispose in accordance with your regional waste disposal regulations.

2.16 After-sales service contact information



Point A Technologies, Inc.

20957 Currier Road, Unit C, Walnut, CA 91789 U.S.A.

Tech Support No : 866-3POINTA (376-4682)

Tel : 909-869-8949

Fax : 909-869-8959

info@pointatech.com

www.pointatech.com

Manufacturer: Hopefull Medical Equipment Co., Ltd.

Address: The Yangtze Industrial Park, Economic Development Area, Xian'ning City
437100 ,Hubei Province, China.

Tel: +86(715) 8898610

Fax: +86(715) 8898613

E-mail: sales01@hope-full.com

Website: www.hope-full.com

EC REP: Wellkang Ltd

Address: Suite B, 29 Harley Street, LONDON W 1G 9QR, UK

Tel: +44(20) 30869438,32876300

Fax: +44(20)76811874

Website: www.CE-marking.com