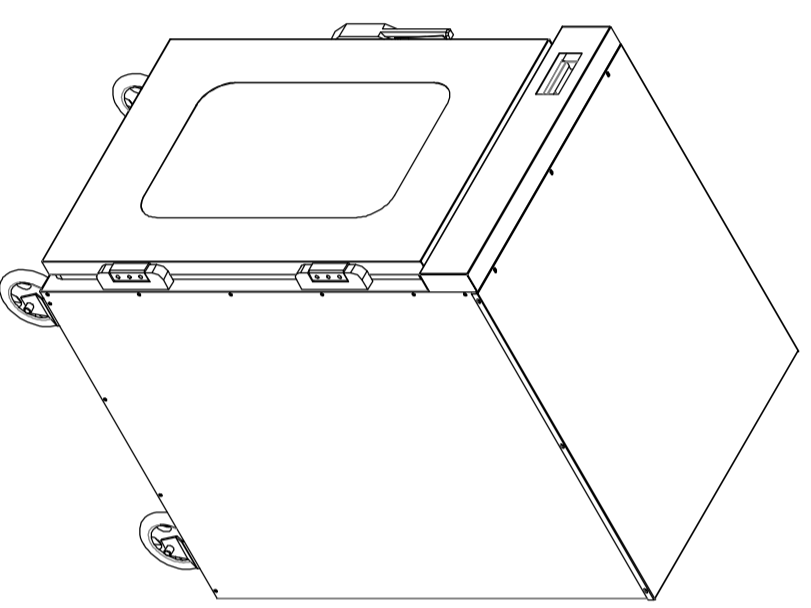
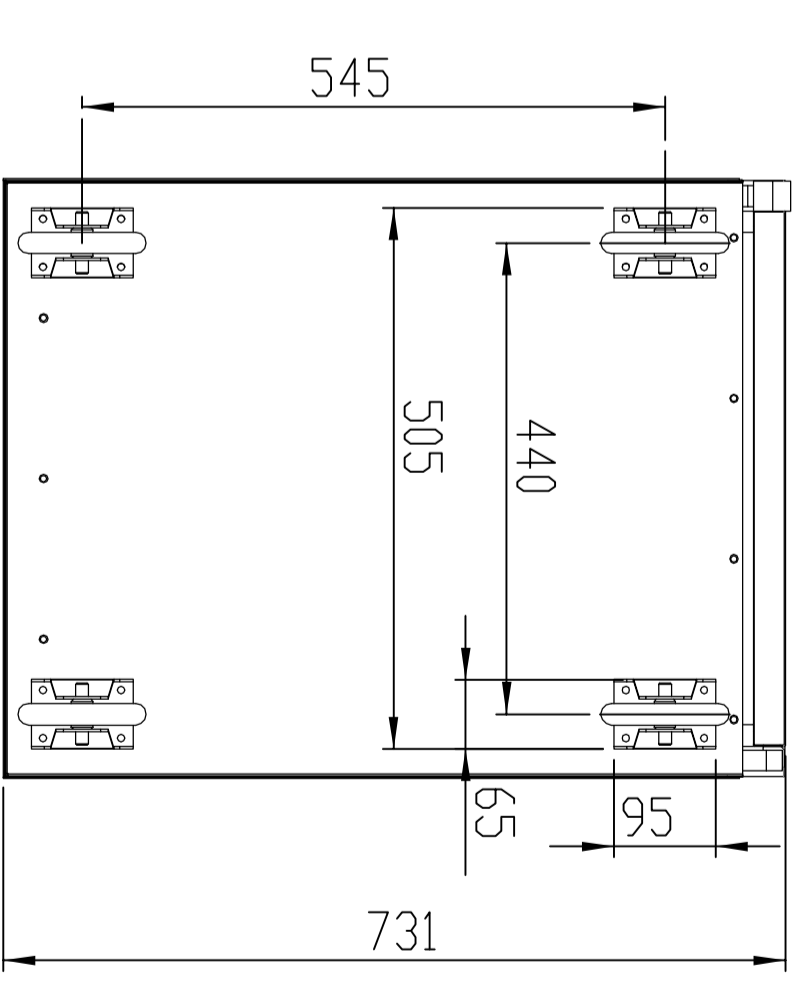
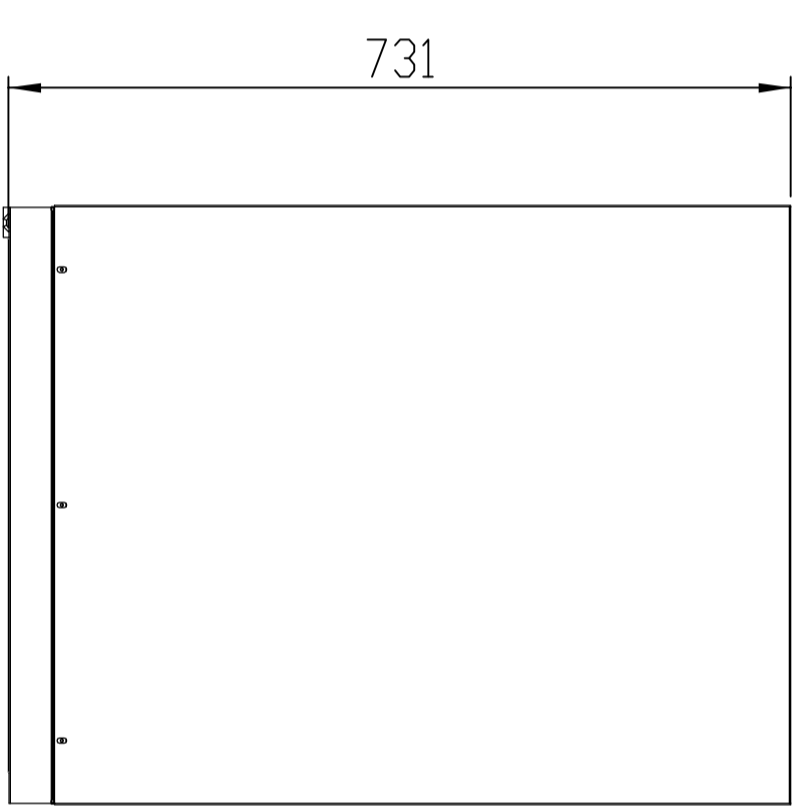


section
E-E

No.	Part No.	Explain	Qty
1	Welding		1
2	Shell		1
3	Backplane		1
4	Roof		1
5	Bulkhead		1
6	Side panels		2
7	M4X15 Bolt		8
8	Door		1
9	Bulkhead		1
10	Hinge	YKPM1600-FY-05	2
11	Lock hook	YKPM1600-FY-05	1
12	Lock	YKPM1600-FY-05	1
13	M4X6 Screw	nut YKPM1600-FY-05	4



Mark	Qty	Change	Date
Design			
Audit			
Crafts			
Approve			

KZ-710	
SUS304	N
Stage marked	Qty
Scale	1:20